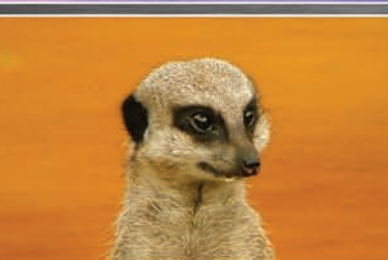


IK-HR1H

ULTRA SMALL HD 1080i/1080p/720p
CMOS REMOTE HEAD CAMERA



Features

- Ultra small (approx. 1.18" x 1.37" x 1.41")
- 1/3" progressive scan CMOS sensor
- Two versions available:
DVI-I (720p/1080i /1080p) and
HD-SDI (720p/1080i)
- Weighs only 1.76 oz. (without lens)
- Auto and manual white balance
- Auto and manual electronic shutter
- Optional 3, 5, or 10 meter cables
- C-mount lens ready

Applications

- Life sciences / diagnostic imaging
- Specialty broadcast / reality TV / sports
- 3D production
- Microscopy
- Aviation
- Defense

Get Maximum Flexibility with our Miniature High-Definition Remote Head Camera.

Toshiba's incredible IK-HR1H CMOS-based Color Camera System gives you power-packed HD performance in a tiny, lightweight package. Choose from two controller configurations for maximum flexibility and options. Let Toshiba bring your project to HD life.



TOSHIBA
Leading Innovation >>>

IK-HR1H CMOS Color Camera Head

Performance Specifications

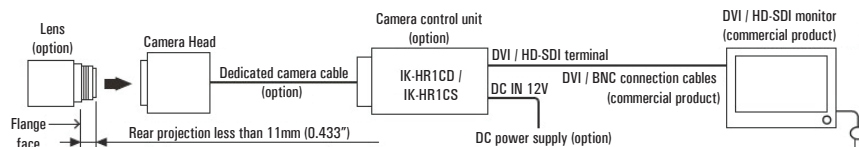
	IK-HR1CD with IK-HR1H	IK-HR1CS with IK-HR1H
Power supply	12 VDC ± 10% DCIN connector (4 pin)	12 VDC ± 10% DCIN connector (4 pin)
Power consumption	Approx. 6.2W (including the camera head)	Approx. 5.5W (including the camera head)
Image sensor	1/3" progressive scan color CMOS	1/3" progressive scan color CMOS
Output pixels 1080	Horizontal : 1920, Vertical : 1080	Horizontal : 1920, Vertical : 1080
Output pixels 720	Horizontal : 1280, Vertical : 720	Horizontal : 1280, Vertical : 720
Sync system	Internal	Internal
Video signal output	Digital output (DVI-I connector output) 8 bit X RGB	SDI: (Serial Digital Interface) (BNC connector output) Based upon SMPTE 292M
	Analog output (DVI-I connector output) 1080p @ 60 fps, 1080i @ 30 fps, 720p @ 60 fps (switchable)	1080i @ 30 fps, 720p @ 60 fps (switchable)
Sensitivity	F4 Standard (at 2000lx, 3000K, 1/60s)	F4 Standard (at 2000lx, 3000K, 1/60s)
Minimum illumination	8 lux std., (50 IRE, F1.4, Gain + 18dB, Gamma Setting ON (setting value 0), 3000K)	8 lux std., (50 IRE, F1.4, Gain + 18dB, Gamma Setting ON (setting value 0), 3000K)
Dimension & Weight (excluding protrusions)	IK-HR1H (HEAD) W: 30mm, H: 35mm, D: 36mm (1.18" (W) x 1.38" (H) x 1.41" (D)) Approx 48g / 1.7oz	IK-HR1H (HEAD) W: 30mm, H: 35mm, D: 36 (mm) (1.18" (W) x 1.38" (H) x 1.41" (D)) Approx 48g / 1.7oz
	IK-HR1CD (CCU) W: 44mm, H: 44mm, D: 77.4mm (1.73" (W) x 1.73" (H) x 3.05" (D)) Approx 138g / 4.9oz	IK-HR1CS (CCU) W: 44mm, H: 44mm, D: 77.4mm (1.73" (W) x 1.73" (H) x 3.05" (D)) Approx 137g / 4.8oz
Operating temperature	0° ~ +40°C (32° F ~ 104° F)	0° ~ +40°C (32° F ~ 104° F)
Storage temperature	-20°C ~ +60C (-4° F ~ 140° F)	-20°C ~ +60C (-4° F ~ 140° F)

Feature Specifications

	IK-HR1CD with IK-HR1H	IK-HR1CS with IK-HR1H
Shutter	AUTO / MANUAL / SS (Synchro Scan) AUTO : Peak / Average / Response speed / Area MANUAL : OFF, 1/100s, 1/125s, 1/250s, 1/500s, 1/1000s, 1/2000s, 1/4000s SS (Synchro Scan) : 15/1125H to 1123/1125H (when set to 1080) 10/750H to 748/750H (when set to 720)	AUTO / MANUAL / SS (Synchro Scan) AUTO : Peak / Average / Response speed / Area MANUAL : OFF, 1/100s, 1/125s, 1/250s, 1/500s, 1/1000s, 1/2000s, 1/4000s SS (Synchro Scan) : 15/1125H to 1123/1125H (when set to 1080) 10/750H to 748/750H (when set to 720p)
	Gamma	OFF / ON : -10 ~ 0 ~ 10 step control
Gain Control	OFF / ON : 0 to 18dB 1dB step	OFF / ON : 0 to 18dB 1dB step
White Balance	AWB / ATW / MANUAL AWB : R Paint B Paint; 3200K/5600K; Area ATW : R Paint B Paint MANUAL : R Gain B Gain; 3200K/5600K	AWB / ATW / MANUAL AWB : R Paint B Paint; 3200K/5600K; Area ATW : R Paint B Paint MANUAL : R Gain B Gain; 3200K/5600K
	Scene file setting	5 files A/B/C/D/E
Remote control	RS-232C protocol: Baud rate 9600bps/19200bps (Rx/D, Tx/D, GND)	RS-232C protocol: Baud rate 9600bps/19200bps (Rx/D, Tx/D, GND)

Design and specifications are subject to change without notice.

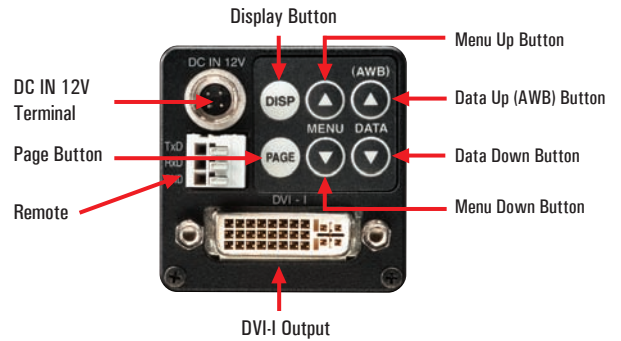
Connection



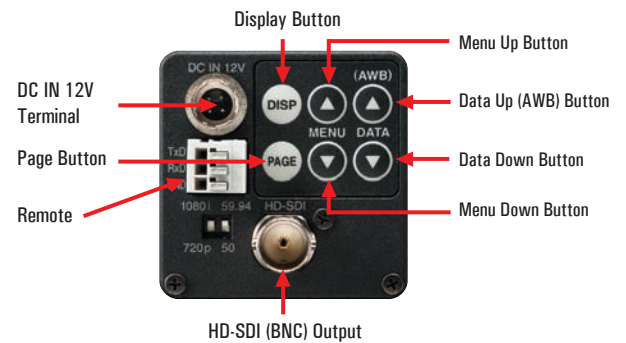
© 2009-2014 Toshiba America Information Systems, Inc. All rights reserved. All products and names mentioned are the property of their respective owners. While Toshiba has made every effort at the time of publication to ensure the accuracy of the information provided herein, product specifications, configurations, prices, system/component/options availability are all subject to change without notice.

REFER TO OUR WEBSITE FOR THE LATEST UPDATES.

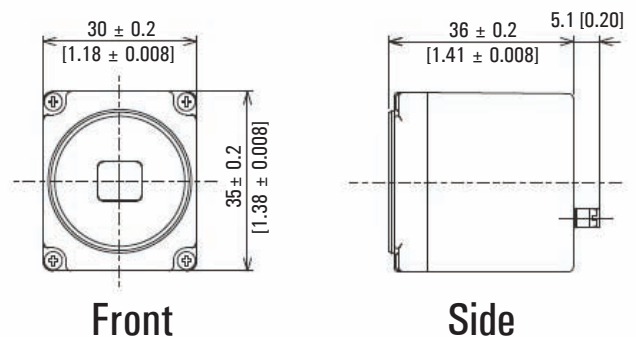
IK-HR1CD CCU



IK-HR1CS CCU



Exterior Dimensions



System Components

For further details, contact your Toshiba ME/FA distributor.

Camera System

IK-HR1H	Camera Head
---------	-------------

Camera Cable

Model	Length
EXC-HR03	3 m
EXC-HR05	5 m
EXC-HR10	10 m

Camera Control Units

IK-HD1CD	DVI Output
IK-HD1CS	HD-SDI Output

TOSHIBA
Leading Innovation >>>

Toshiba America Information Systems, Inc.
Imaging Systems Division
9740 Irvine Boulevard, Irvine, California 92618
www.toshibacameras.com