



IK-TF SERIES

IK-TF5P2 / IK-TF7P2

High Resolution 3CCD Progressive Scan



IK-TF5P2

IK-TF7P2



Lens not included



Features

- New and improved design
- 3CCD progressive scan
- Pixel resolution / frame rate
 - ▶ 659 x 494 @ 59.94 fps (IK-TF5P2)
 - ▶ 1024 x 768 @ 29.18 fps (IK-TF7P2)
- Compact one-piece configuration
- Digital output – Camera Link®
- Electronic shutter – manual or auto
- Electronic noise reduction
- Partial scanning to increase frame rate
 - ▶ Up to 250 fps
- White balance – manual or auto
- Dual power input – PoCL® or 12VDC
- C-Mount lens mount
- On-screen and RS-232 setup
- Economically priced

Applications

- Machine vision
- Process control
- Inspection
- Factory automation

One-Piece, 3CCD, Progressive Scan Color Area Scan Camera

Our IK-TF5P2 and IK-TF7P2 provide accurate colors and high resolution of fast moving objects for a variety of process control, inspection, and machine vision applications. New and improved designs expand digital processing capabilities including electronic noise reduction, auto mode electronic shutter, partial scan frame rates up to 250 fps, Power over Camera Link®, and reduced power requirements. We offer two enhanced models to meet your resolution and budget requirements.

TOSHIBA
Leading Innovation >>>

IK-TF5P2 IK-TF7P2

High Resolution 3CCD Color Cameras

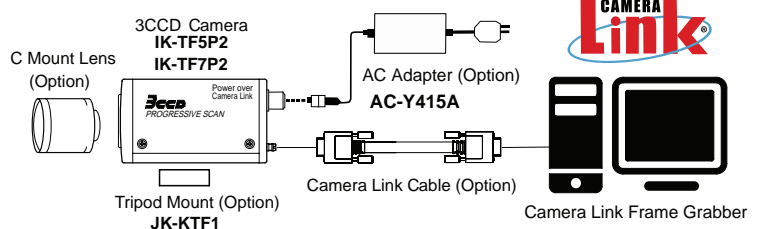
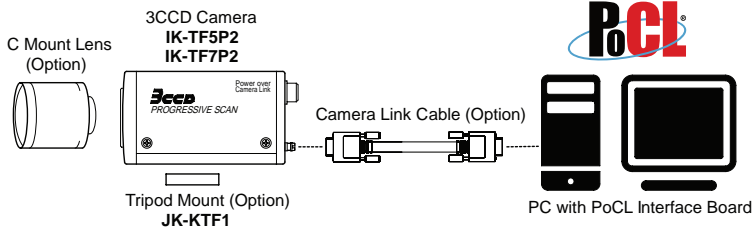
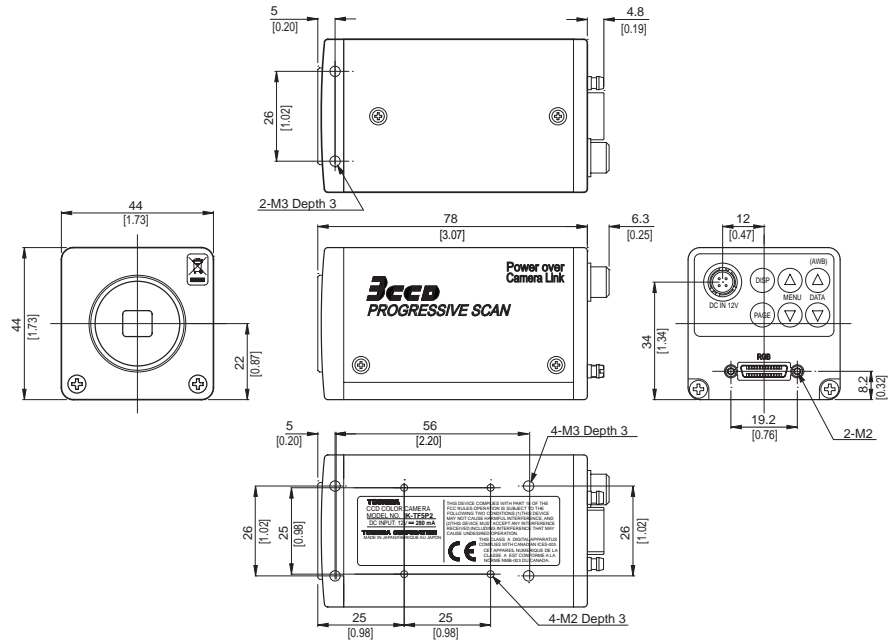
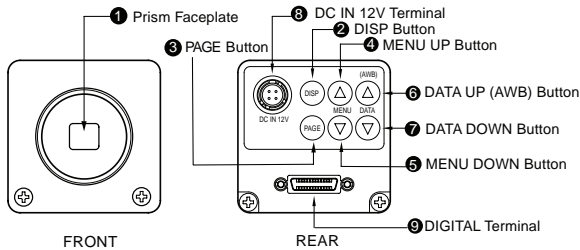
SPECIFICATIONS	IK-TF5P2	IK-TF7P2
Scanning System	Progressive	
Image Sensor	3 x 1/3" CCD, RGB prism	
Output Resolution	XGA (1024 x 768)	VGA (659 x 494)
Effective Pixels	H 659 x V 494	H 1034 x V 779
Pixel Size	7.4 μ m x 7.4 μ m	4.65 μ m x 4.65 μ m
Sensing Area H V	4.9 x 3.7 mm	4.8 x 3.6 mm
Frame Rate	59.94 fps	29.18 fps
Partial Scanning	250 fps (100 lines) 199 fps (134 lines) 174 fps (158 lines) 126 fps (230 lines) 121 fps (240 lines) 93 fps (324 lines) Off (59.94) (494 lines)	90 fps (175 lines) 80 fps (211 lines) 70 fps (259 lines) 60 fps (322 lines) 50 fps (412 lines) 42 fps (512 lines) 40 fps (542 lines) Off (30) (768 lines)
Binning	Off, On, Ext On	None
Pixel Clock Frequency	24.5454 MHz	29.5 MHz
Sync Signal Frequency	H 31.469 kHz V 59.94 kHz	H 23.229 kHz V 29.18 kHz
Horizontal Resolution	480 TV Lines	760 TV Lines
Output Signal	8 bit Digital RGB Camera Link®	
Sync Signal Output	FVAL/LVAL/DVAL (positive polarity) Pixel Clock	
External Sync Input	HD: CC3 VD: CC4 (LVDS input) Neg polarity	
External Trigger Input	CC1 (LVDS input) More than 2 μ s pulse width	
Partial Scanning Control	CC2 (LVDS input)	
Gamma Correction	On / Off	
White Balance	AWB, Manual	
Gain	Manual (0 to 18 dB), Off (0 dB)	
Electronic Shutter	Manual (1/100 to 1/100,000 sec) Synchro Scan (1-512 Frames)	
Sensitivity	F6.8 Standard (2,000 Lux, 3,000K)	
Noise Reduction	On / Off	
Minimum Illumination	14 Lx (f2.2 +18dB, 3,000K)	
Lens Mount	C-Mount flange back 17.526 mm in air	
Ambient Temperature	0° C – 40° C (32° F - 104° F)	
Ambient Humidity	Less than 90%	
Input Power	12 VDC \pm 10% PoCL® or DC Connector	
Interface	Serial Data Interface TC(RXD) TFG(TXD)	
Power Consumption	Approx. 3.4W (When DC Power Supply is 12V)	Approx. 3.1W (When DC Power Supply is 12V)
Dimensions W H D (excluding protrusions)	44(W) x 44(H) x 78(D) mm (1.73"(W) x 1.73"(H) x 3.07"(D))	
Weight	158g (0.35 lbs)	
Class	FCC Class A, CE	

TOSHIBA
Leading Innovation >>>

Toshiba America Information Systems, Inc.
Imaging Systems Division
9740 Irvine Boulevard, Irvine, California 92618
www.toshibacameras.com

IK-TF5P2 IK-TF7P2

High Resolution 3CCD Color Cameras



DC IN 12V		Digital		Function		I/O
1	+12V	1	+12V	14	GND	-
2	+12V	2	XO-	15	XO+	O
3	GND	3	X1-	16	X1+	O
4	GND	4	X2-	17	X2+	O
		5	Xclk-	18	Xclk+	O
		6	X3-	19	X3+	O
		7	SerTC+	20	SerTC-	Serial communication control (RXD)
		8	SerTFG-	21	SerTFG+	Serial communication control (TXD) O
		9	CC1-	22	CC1+	Trigger pulse input
		10	CC2+	23	CC2-	Partial scanning control
		11	CC3-	24	CC3+	External HD input
		12	CC4+	25	CC4-	External VD input
		13	GND	26	+12V	-

Connector Used: HR10A-7P-4PB (HIROSE Electronics Co. Ltd) or equivalent

Connector Used: 12226-51000-00 (3M) or equivalent

TOSHIBA
Leading Innovation >>>

Toshiba America Information Systems, Inc.
Imaging Systems Division
9740 Irvine Boulevard, Irvine, California 92618
www.toshibacameras.com

© 2012-2014 Toshiba America Information Systems, Inc. All rights reserved. All products and names mentioned are the property of their respective owners. While Toshiba has made every effort at the time of publication to ensure the accuracy of the information provided herein, product specifications, configurations, prices, system/component/options availability are all subject to change without notice.

Camera Link and PoCL are registered trademarks of the Automated Imaging Association (AIA)
REFER TO OUR WEBSITE FOR THE LATEST UPDATES.